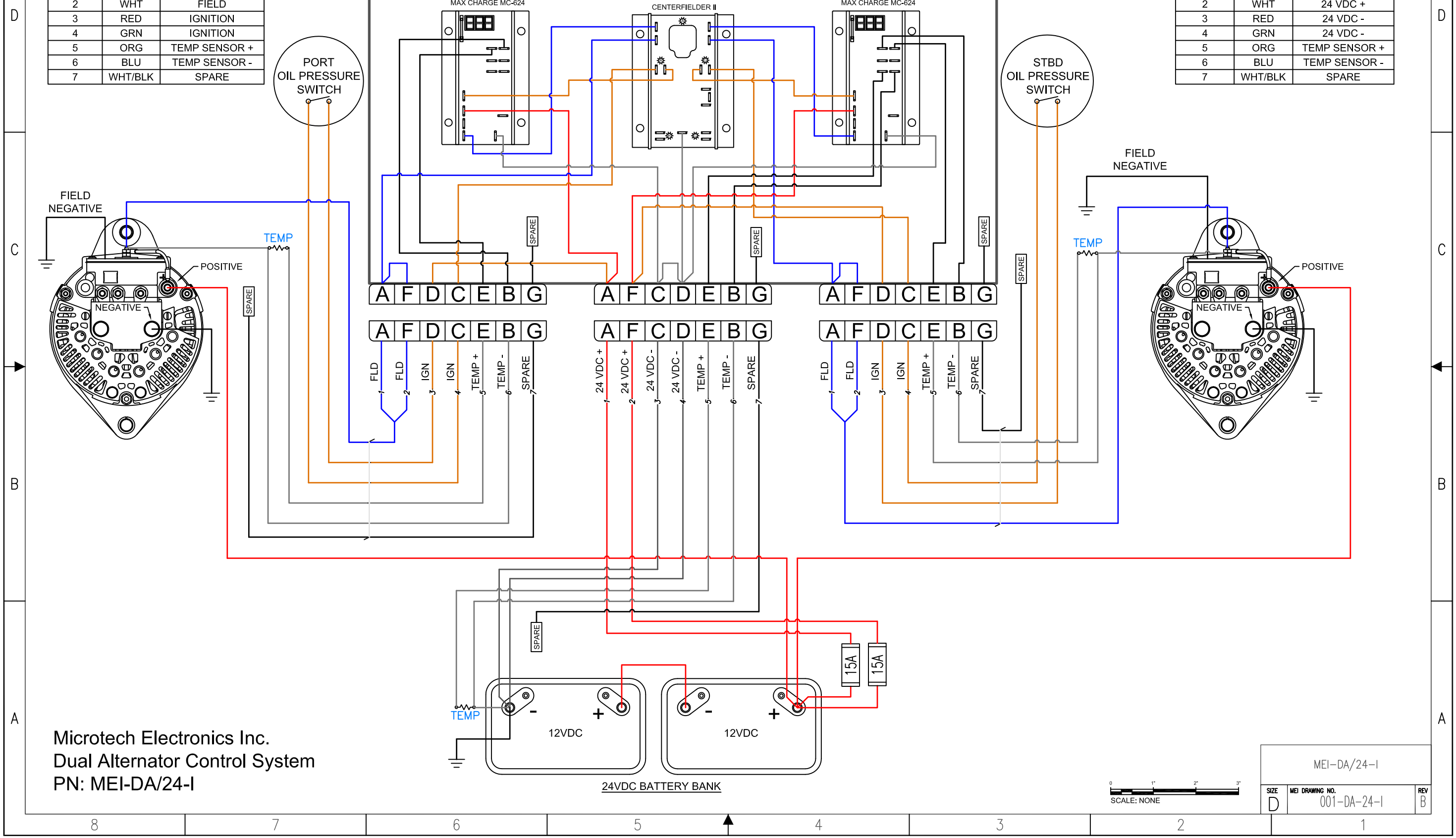


ALTERNATOR CABLE		
WIRE #	COLOR	DESCRIPTION
1	BLK	FIELD
2	WHT	FIELD
3	RED	IGNITION
4	GRN	IGNITION
5	ORG	TEMP SENSOR +
6	BLU	TEMP SENSOR -
7	WHT/BLK	SPARE

BATTERY CABLE		
WIRE #	COLOR	DESCRIPTION
1	BLK	24 VDC +
2	WHT	24 VDC +
3	RED	24 VDC -
4	GRN	24 VDC -
5	ORG	TEMP SENSOR +
6	BLU	TEMP SENSOR -
7	WHT/BLK	SPARE

### DA-24-I



Microtech Electronics Inc.  
 Dual Alternator Control System  
 PN: MEI-DA/24-I

MEI-DA/24-I

SCALE: NONE

SIZE D	MEI DRAWING NO. 001-DA-24-I	REV B
--------	-----------------------------	-------